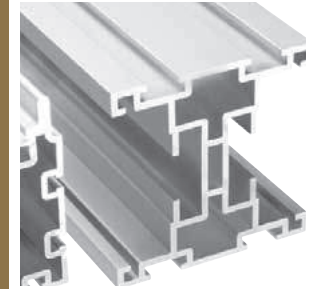
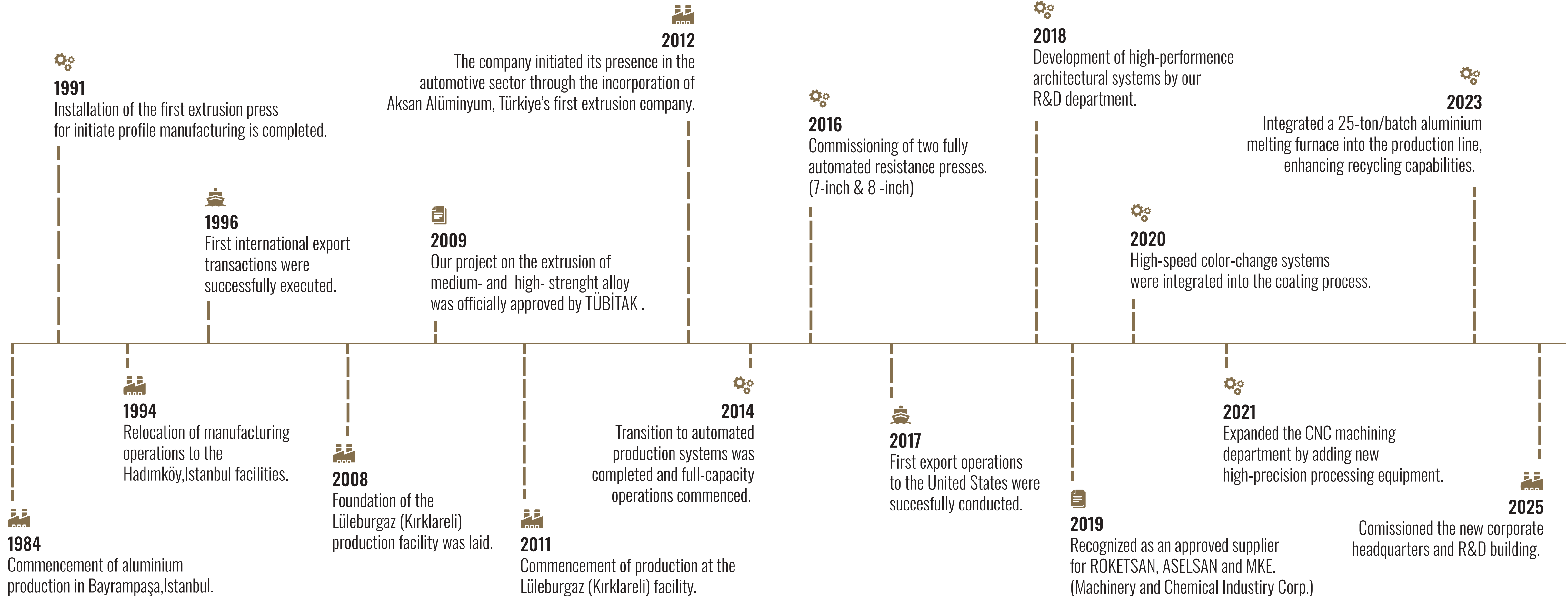




"in every aspect of life"

“in every aspect of life”







BG50



MS89



BM55

Burak Alüminyum Industrial:

Burak Alüminyum also performs special alloy aluminium profile extrusion besides standard alloy extrusion. Beside of serving manufacture industries such as automotive, aviation, heating-cooling, furniture promotions and rail systems which needs qualified design from A to Z. Burak also provide semi-finished and finished products composed of aluminium - such as caravan, automotive, industrial fridges, and radiators.

Burak Alüminyum Architectural Systems:

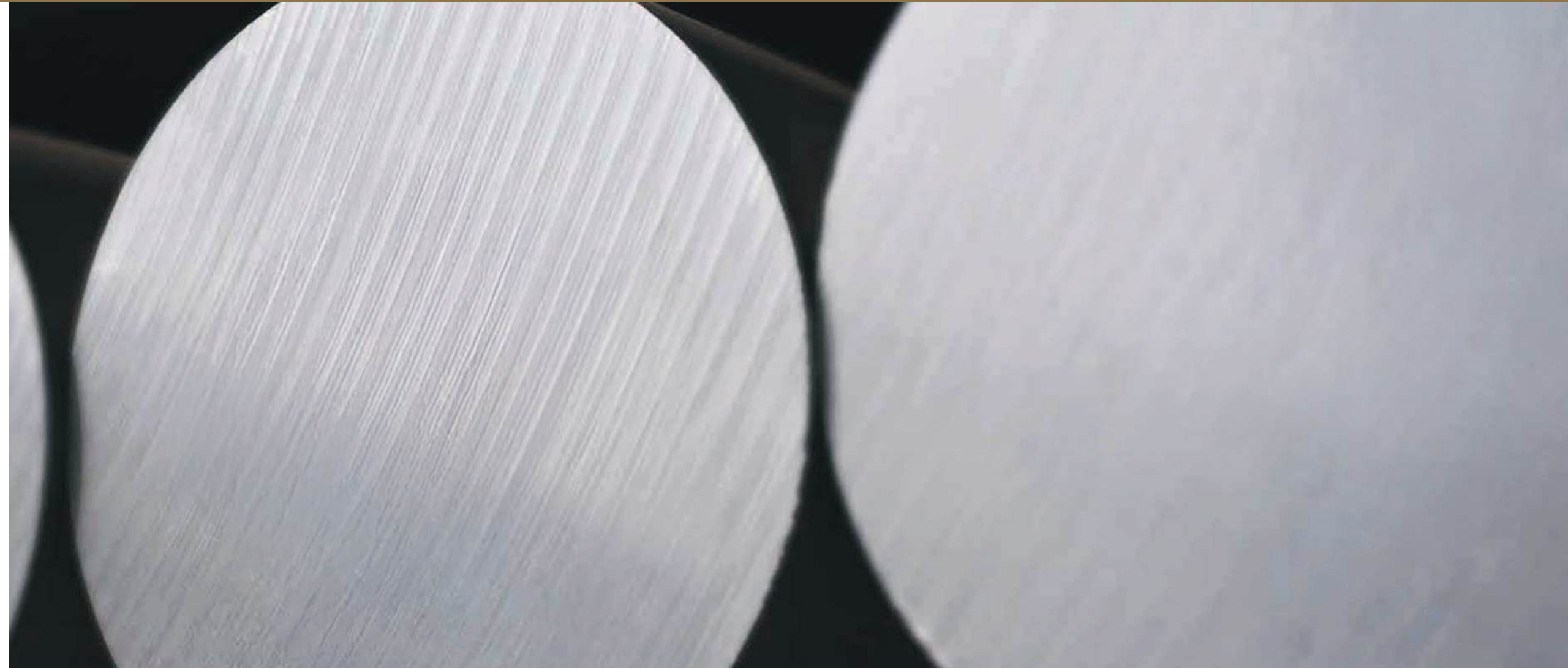
Burak develops architectural solutions with its alu-line® brand as well. Besides manufacturing facade, doors and windows, sliding, office partition systems, handrail profiles and their compatible accessories, Burak also manufactures aluminium composite panels via its BURAKBOND® and alu-linebond® brands and exports these products to 60 countries.



Indoor	47,000 sqm
Extrusion	12.700 tons/Year
Anodizing	22,000 tons
Powder Coating	3.400 tons - 10 mt
Insulation Barrier	3,000 tons / ~1,200 km
Worker	450 personel

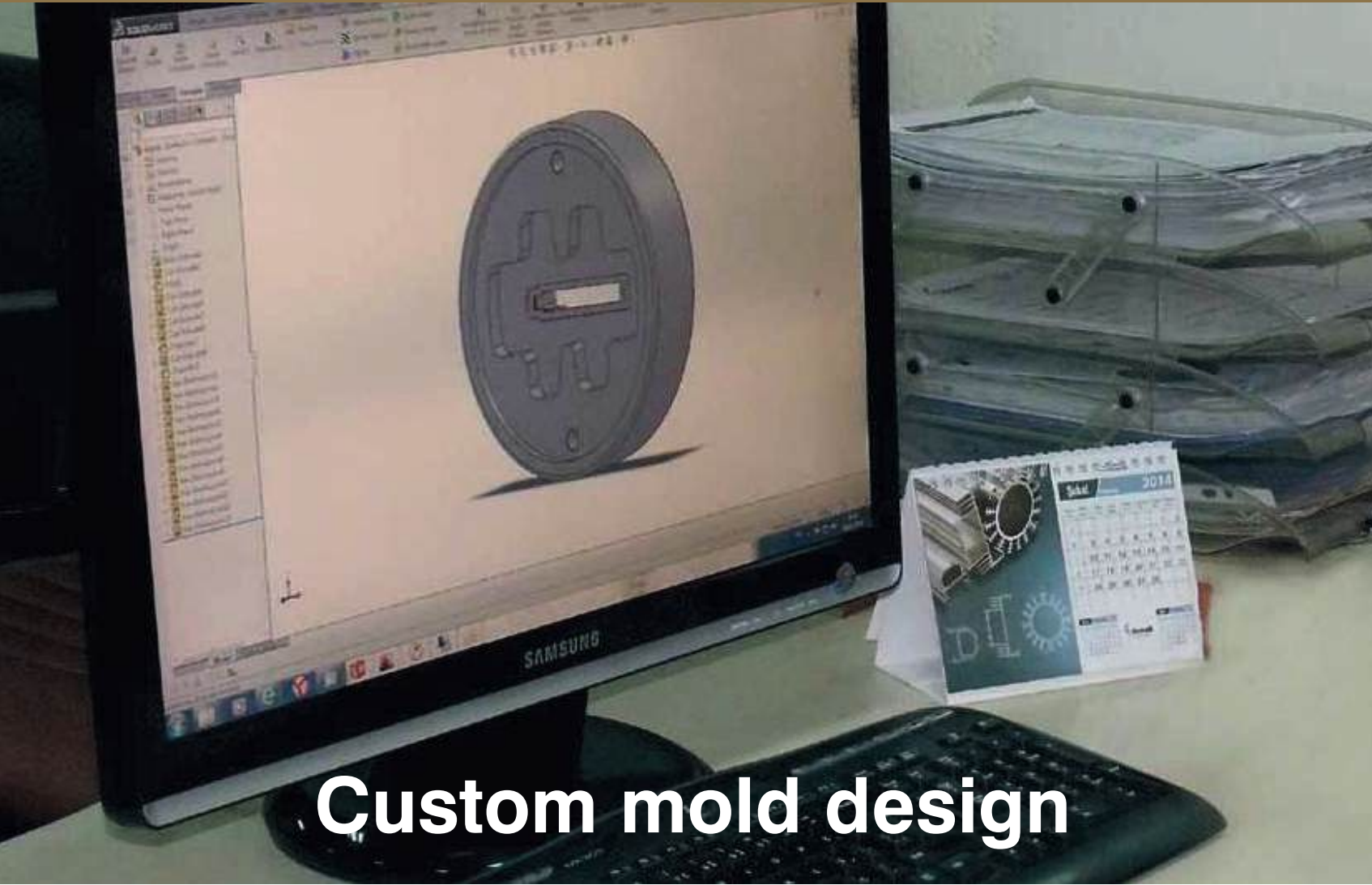


The ability to produce special alloys



- To extrude profile with the best mechanical properties 6063, 6082, 6061, 1050, 1070, 5754, 6005 billet alloys are preferred.
- Burak provides the optimization of the casting parameters in its own foundry and manufacture high quality billets through the homogenization heat treatment applied post casting.

- Burak also uses 1st quality aluminium billets from HYDRO.
- Our raw materials are checked according to TS EN 573-3 standards.

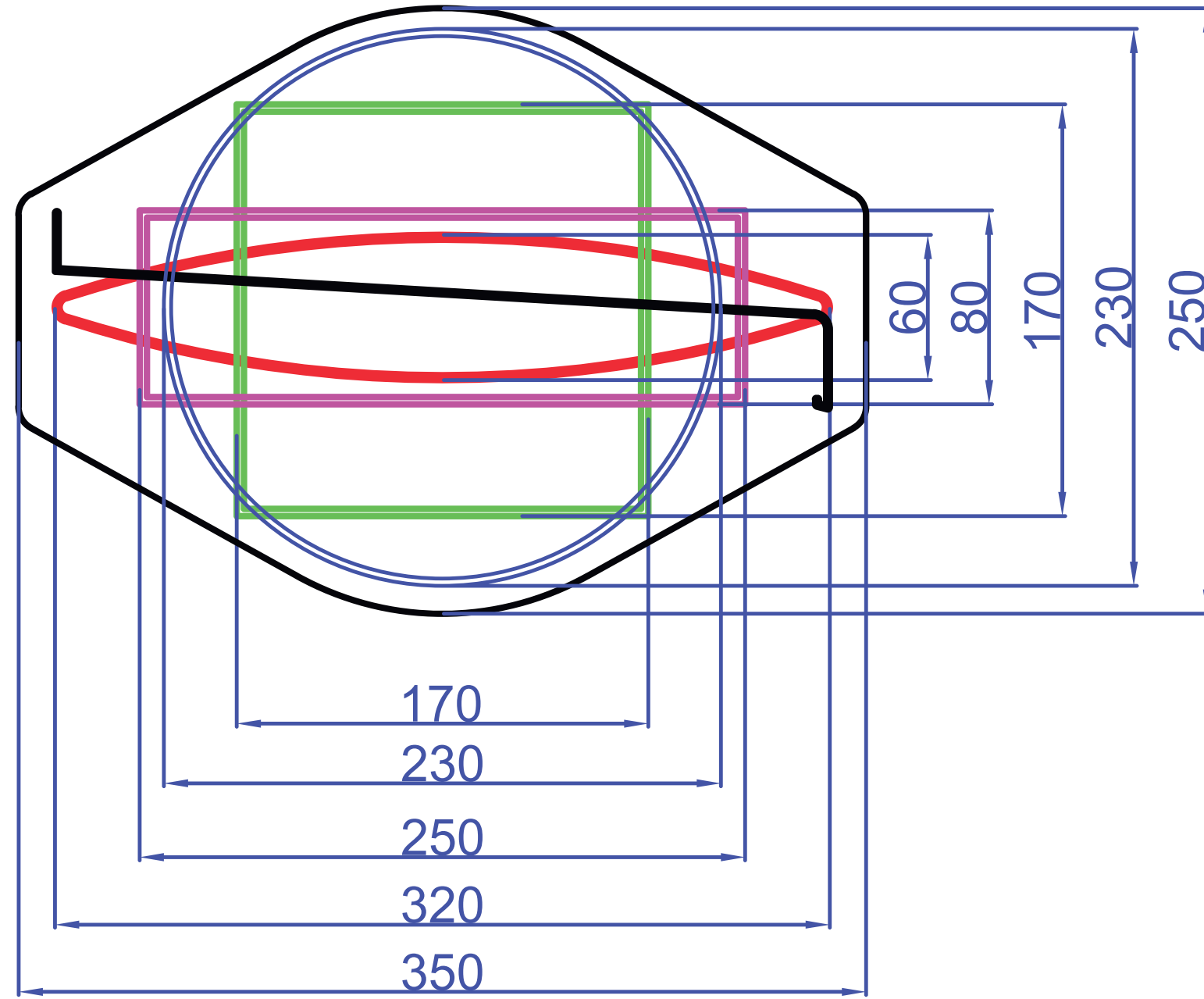


Custom mold design

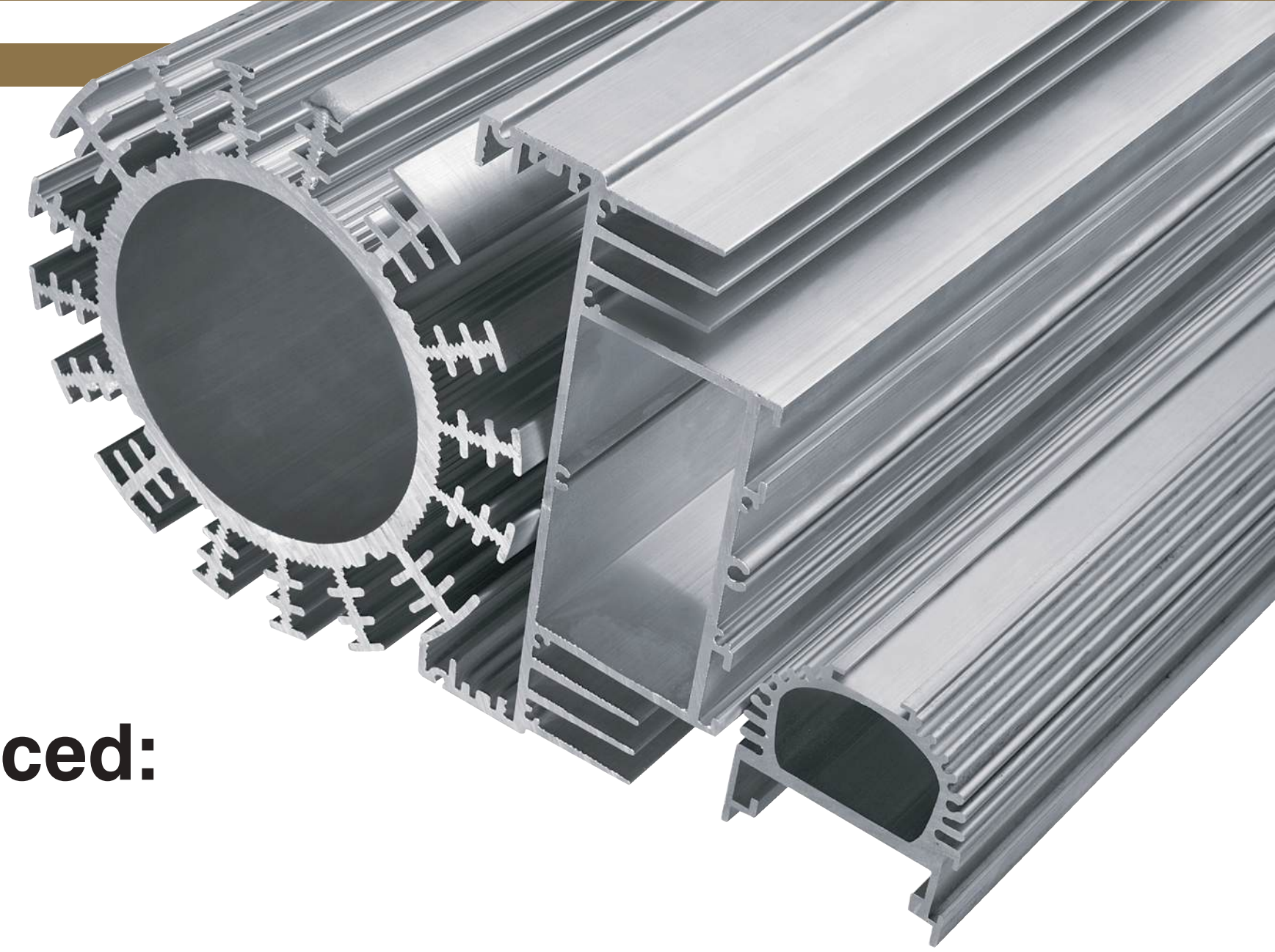


The design techniques used and CAD-CAM systems are combined with an experienced specialized staff to serve our customers, optimize the manufacturability and prices of the products and make profile designs based on customers desires. Through the cutting-edge technology product CNC counters, all kinds of extrusion molds are manufactured in the most efficient and affordable manner.

Our molds are in conformity with TS-EN 12020-1 standard and manufactured according to TS-EN 12020-2 sensitive tolerances. Mold manufacture is made by Computer Based CNC Machines. Molds are regularly subject to Nitration (Tenifer) process. More than 20 thousand molds in various sizes and designs are available at Burak Alüminyum mold archives



○ □ → Thickness Min: 3 mm



Alloys can be produced:

6063, 6082, 6061, 1050, 1070,
5754, 6005
Produced in hardness

Profiles:

F13, F18, F22, F25, F27

Recoverable profile size:

Anodizing: 8.70 m
Paint: 10 m
Press: 12 m



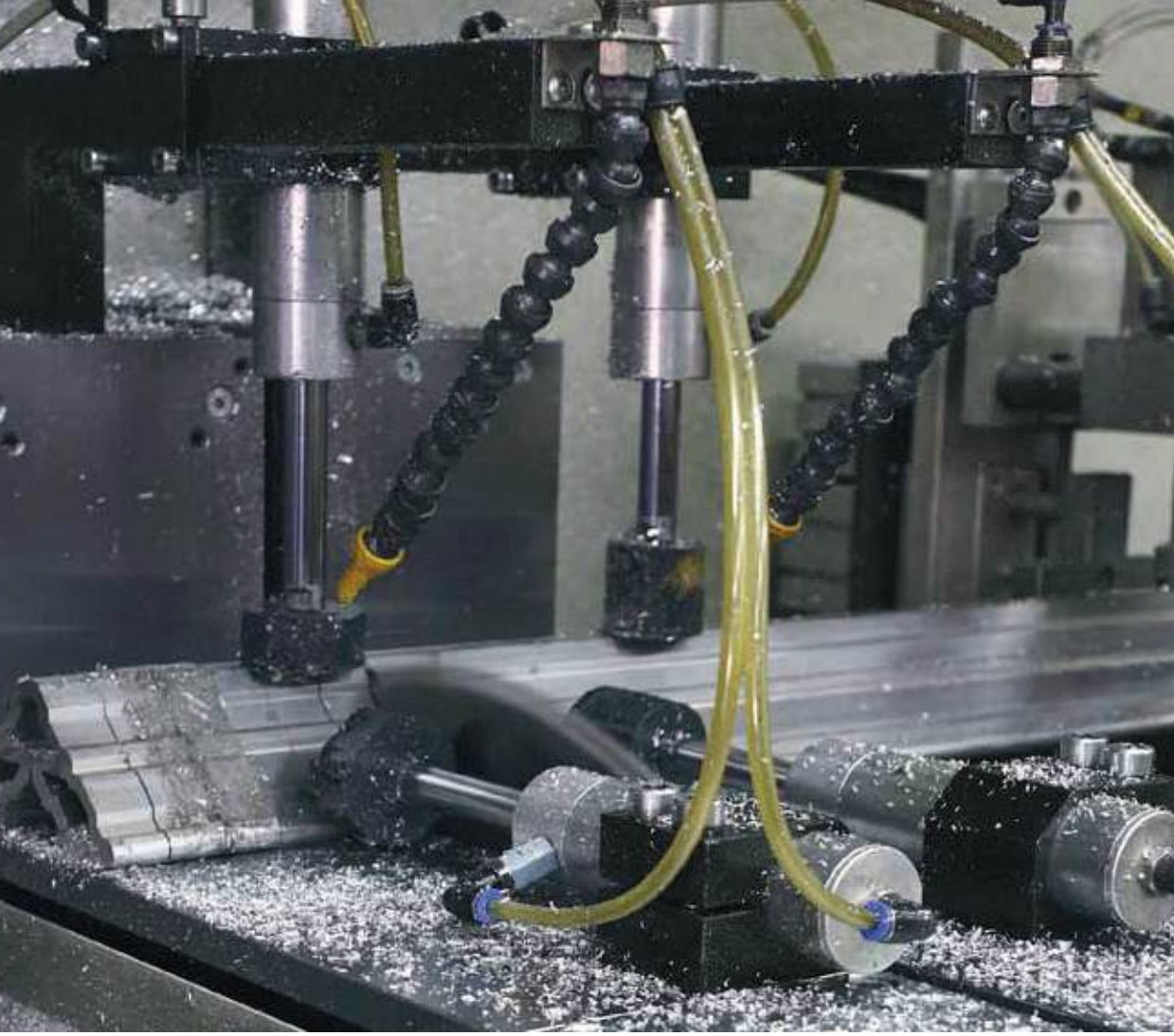
Burak Alüminyum has the opportunity to manufacture wide variety of profiles, thanks to our total of advanced PLC controlled extrusion press lines, namely, 3 x 1,400, 3x2,000, 1 each 2,250 and 2,750 tons. Thanks to its advanced technology, it is able to perform production optimization

and control outage amounts. Our aluminium billet induction furnace allows us to obtain the most excellent anodic quality thanks to isothermal extrusion. Our programmable conveyor and tensioning system constitutes one of the most advanced extrusion plants along with our thermic furnace.



Dynamic extrusion forces

Line	Power	Dimension	Brand	Annual Capacity
Press 1	1400 tons	6 inches	Domestic	3600 Tons/Year
Press 2	1400 tons	6 inches	Domestic	3600 Tons/Year
Press 3	2000 tons	7 inches	Domestic	3600 Tons/Year
Press 4	2000 tons	7 inches	Presezzi	5400 Tons/Year
Press 5	2250 tons	9 inches	Farell	6000 Tons/Year
Press 6	2500 tons	8 inches	Presezzi	9600 Tons/Year



- At our machining unit we can make; drilling, milling, sensitive cutting, bending, welding and assembling processes. We are able to make bending processes in accordance with the product specifications in our bending and plastic shaping machines.
- In line with the demands of the customers; manufacturing is performed in international standards through TIG and MIG welds when caravan doors, frames, combined profiles are

desired to be readily assembled.

- Heat insulation profiles are also manufactured for exterior, automotive and Air conditioning industries. Our HERMANN MULLER brand full automatic heat barrier assembly line manufactures heat insulates profiles with the least outage and the highest quality and speed with automatic pressure control based on the technical properties of the profile and the heat barrier.

Produce 8.70 mt anodised profiles



- 18,000 tons of anodisation capacity per year thanks to 3x25,000 A, 4x10,000 A flow capacity rectifier anodic baths and 3x10,000 A electrolytic colouring transformers at our Anodic plants.
- The specifications of the anodized products are determined by QUALANOD specifications.
- Anodic oxidation process can be made up to 8.70 meters profile at our plant.

- Our full automatic anodic oxidation plant was founded by Italian company MONTI.
- Based on our customers' demands; we offer various surface processes such as brightening, grinding, brushing and sand blasting.



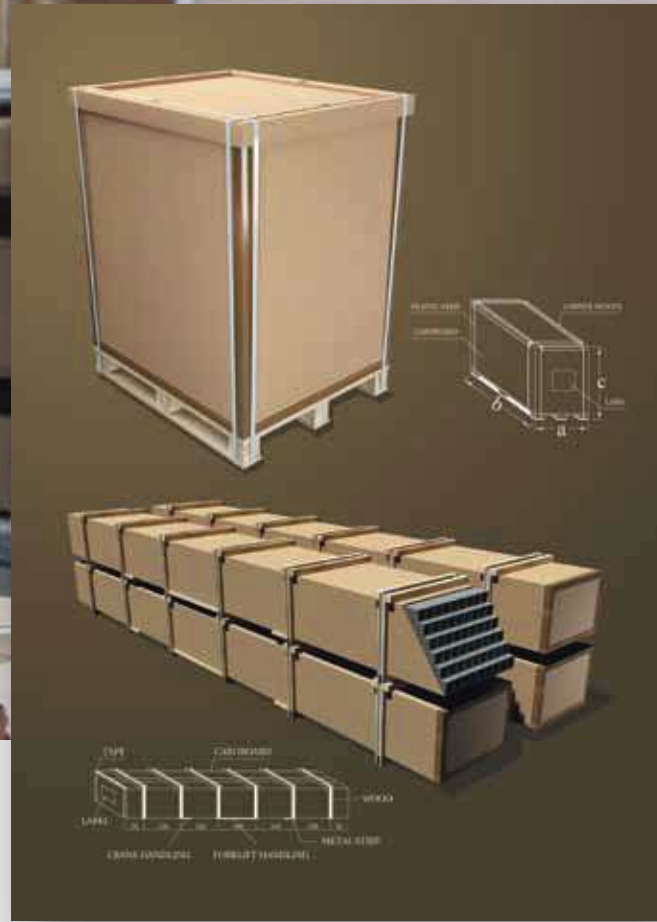
Lengths up to 10 mt available



- We apply pre-coating process of surface cleaning, acidic surface corrosion, chrome-free coating.
- After surface improvement, profiles are checked and their surfaces are cleaned.
- Coating is made via automatic Tribo System.
- Coating and surface improvement quality is made in

QUALICOAT® standards.

- Production samples and production details are regularly kept to take measures against the potential problems in the future and improve quality.
- Powder coating can be applied up to 10 mt. profiles.
- Our facility, 9,000 tons/years staining is capable of.



Aluminium profiles need to be maintained safe from against environmental factors during transfer, shipment or stock. For the protection of aluminium extrusion profile surfaces, they need to be taped and film covered, bulk case packaging with nylon and craft paper; and they also need separate packaging so that they can be carried by forklifts, cranes or trucks in

intercity or import shipments.

Burak Alüminyum produces pallets within the framework of national and international standards and it provides custom size pallets which are defined according to the stocking requirements of the customer.

CONSTRUCTION PROFILES

- Elevators
- Garden Gates and Fences
- Ladders and Scaffoldings
- Louvers and Shutters
- Door Thresholds
- Window Sills
- Awnings
- Cable Channels
- Safety Fences
- Ceramic Tiles
- Ceilings
- Roofs

ALUMINUM ARCHITECTURAL SYSTEMS

- Skylight
- Interior Partitioning
- Curtain Wall
- Winter Garden
- Doors and Windows
- Brise Soleil



AUTOMOTIVE AND TRANSPORT PROFILES

- Train Interiors
- Automotive Equipments
- Truck and Trailer Bodies
- Bus Doors, Windows and Interiors
- Bus Stations
- Bicycle Wheels
- Traffic Signs
- Caravan

BUILDING INTERIOR PROFILES

- Shower Cabins
- Picture Frames
- Floor Coverings
- Curtain Rails
- Handrails
- Doormats
- Insect Screens

ENERGY, HEATING, COOLING PROFILES

- Solar Collectors
- Photovoltaic Structures
- Air Condition and Ventilation
- Grills and Diffusers
- Radiators

STANDARD PROFILES

- Rods, etc
- Angles
- Plates
- Tubes

FURNITURE PROFILES

- Chairs
- Wardrobes
- Furniture handles and accessories
- Tables and Tripods
- Cupboards



PROFILES FOR VARIOUS APPLICATIONS

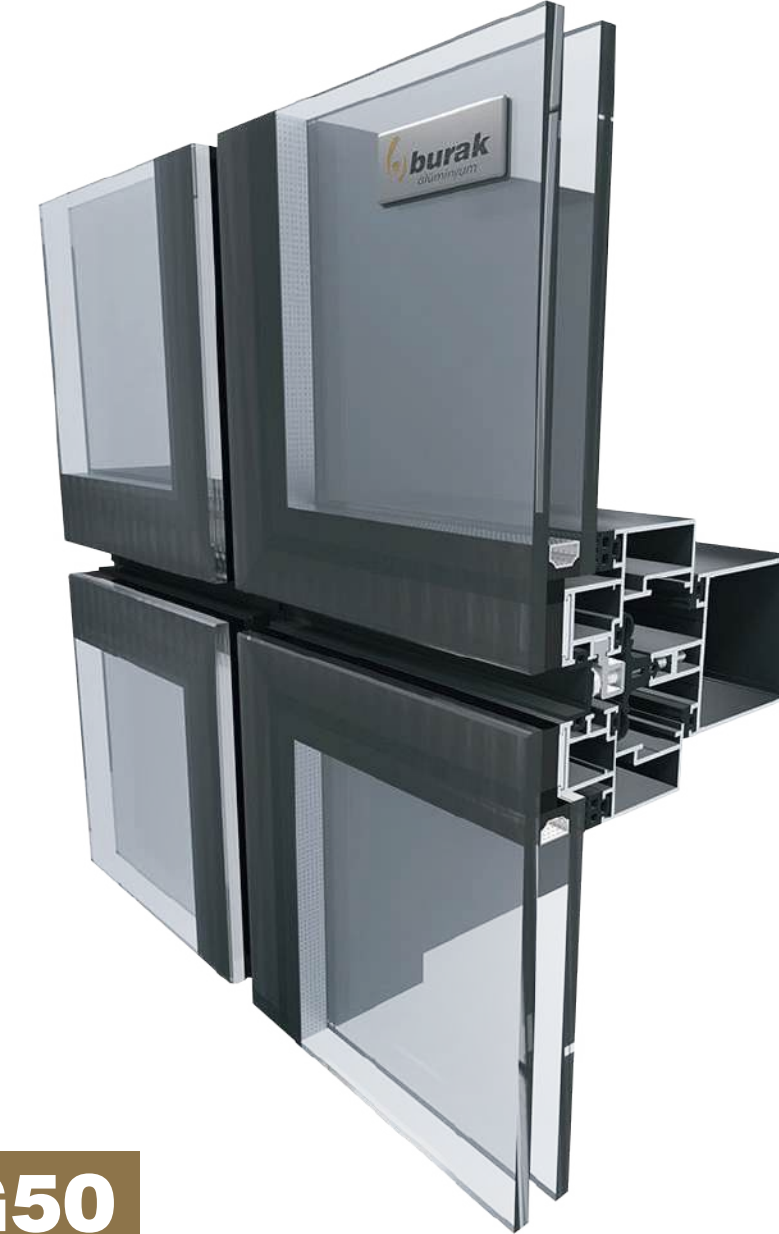
- Swimming Pool Covers and Protections
- Machinery Basements and Frames
- Hospital Equipments
- Display Units
- Signboards
- Lightning Equipments
- Exhibition Stands
- Home Appliance
- Conveyors
- Aquariums
- Solariums
- Mail Boxes
- Showcases



BG50

Curtain Wall

Curtain walling system with cap reflects for the most part a steady stance in the building. Aluminium horizontal and vertical covers can be seen in between the glass indicates the building's style with a stronger and solid stance.



AG50

Silicon Curtain Walling

This system was virtually created in the axis to avoid aluminium to be seen from outside of building. It not only allows integrity in the wall but it can also reflect corporate identity by the colour of the glass.

Steel-reinforced Facade

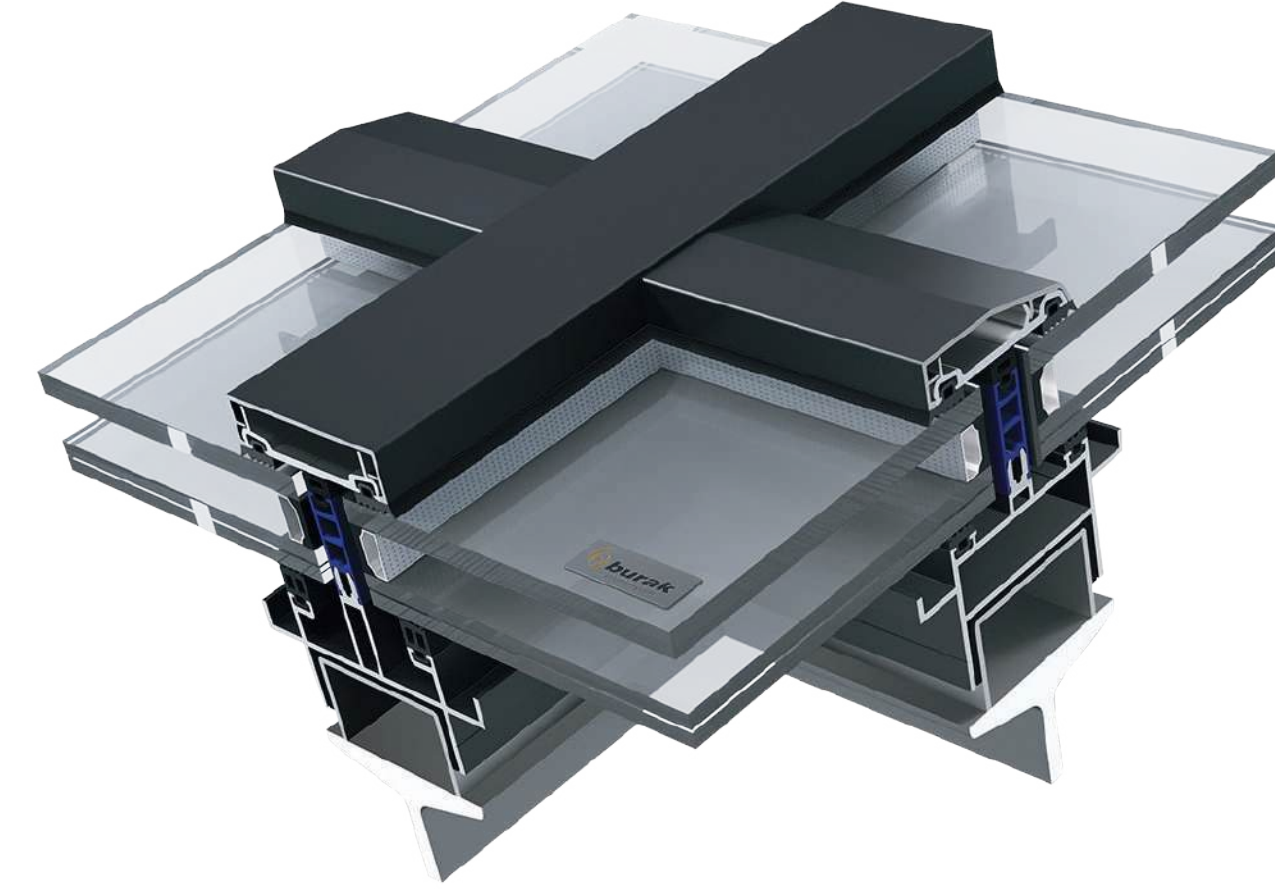
The static values of aluminium cannot bear above a certain height. In this case, a facade is created through this system which is assembled on steel columns. This system is suitable for highrise buildings with steel construction.



SW11

Sunshading Systems

It is a system actually developed for people indoor to avoid being influenced and disturbed by the sun at sunrise and sunset, this system creates a functional effect on the facade. An aesthetic appearance is obtained as a result of using sunshaders especially at storey gaps in the whole building.



BG60 SKY

Skylight Systems

Being applied in the new generation buildings and more frequently on the roofs of the shopping malls, this system enables solar control in creating ecological buildings. It allows light to enter into the building from the appropriate points, and it is effective both for natural lighting and internal heat.



BM55

BM55: BM-55 can be applied insulated and uninsulated and it was designed by economical for large application area. It presents maximum transparent area on the frame vision through its frame depth is 55mm and its narrow frontal width. So it can be preferred at internal areas of buildings through aesthetic design. It is proper much at residences through thermal insulation and easy manufacturing.



ES45

ES45: It can be conveniently used in all kinds of applications of trade centres, housings and public offices which does not contact with external weather conditions. It can also be applied in wet ground ventilation windows.



S4000

S4000 Hebe Schibe: “Hebe Schiebe” (lift and slide) operates with high performance even in the largest openings with its special mechanism, it increases the movement capability of the sashes and enables them to be easily opened and shut. The mechanism’s ability to lock the sash in a desired distance, both allows to ventilate the room in a natural way by leaving the door halfway open and disables toddlers to go out. It can also be applied as a classical sliding system.



MS120

MS120 Sliding System: The MS120 is a high-performance sliding system designed for large openings. With a frame depth of 120–183 mm and sash depth of 49 mm, it combines strength and elegance. It supports up to 36 mm glass thickness, with 1.4–1.6 mm profile wall thickness and 16–22 mm insulation barriers, offering a thermal insulation value of $(U_f) < 2.98 \text{ W/m}^2\text{K}$. Compatible with standard sliding, fixed frame, triple rail, and built-in insect screen configurations.



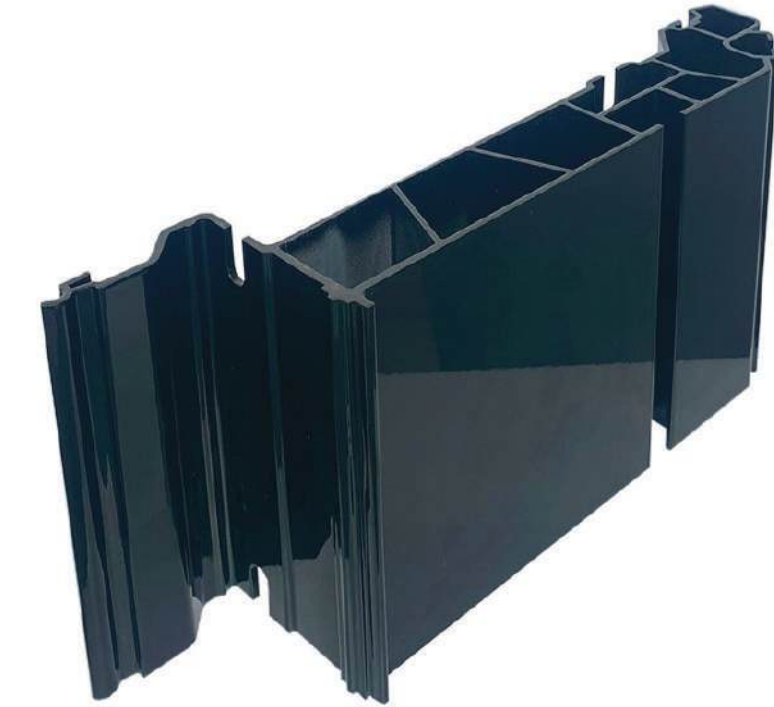
Convactor Profile

Convactor Profile: Special cover profiles used in the heating systems of buses. These profiles safely enclose the heating channels, preventing passenger contact while providing a clean and aesthetic finish. Their durable structure ensures long-lasting performance and contributes to enhanced comfort inside the vehicle.



Subway Ventilation Profile

Subway Ventilation Profile: Ventilated step profiles designed for use in trams and metro vehicles. They improve passenger safety by providing an anti-slip surface on steps while the integrated ventilation grilles support airflow within the vehicle. With their functional design, they combine safety and comfort in public transportation.



Battery Holder

Subway Ventilation Profile: Profiles developed for securing and protecting batteries in advanced technological vehicles. Manufactured from high strength materials, they are resistant to vibrations and external factors. As a key component in electric vehicles, they ensure battery safety and contribute to long-lasting performance.



Clamp Mechanism



Motor Mounting Bracket



Speaker Profile



Servo Motor Body



Tram Step



Glass Edge Protection



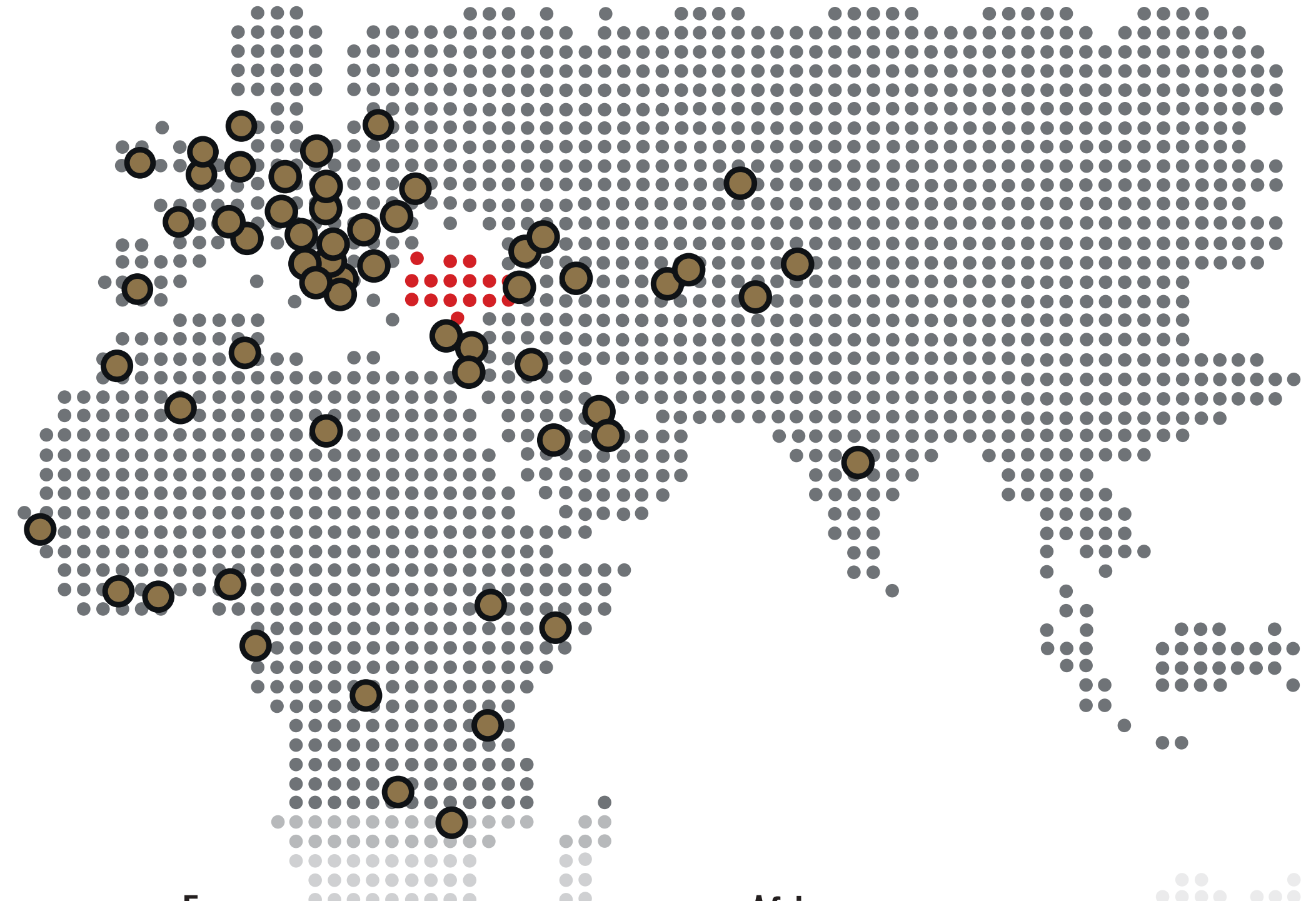
Bus Curtain Rails



Door Mechanism Profile

IN EVERY ASPECTS OF LIFE!

We provide architectural systems and aluminium extrusion from Türkiye to the world through our fully automated manufacturing facility, R&D center and experienced team.



Europe

Albania - Austria - Belgium - Bosnia Hersegova - Bulgaria - Cyprus - Denmark - England - Finland - France - Germany - Greece - Hungary - Italy - Kosovo - Lithuania - Malta - Moldova - Montenegro - Netherlands - North Macedonia - Poland - Romania - Serbia - Slovakia - Spain - Switzerland - The Czech Republic - Ukraine

Asia

Armenia - Azerbaijan - Georgia - India - Iraq - Israel - Kuwait - Kyrgyzstan - Palestine - Saudi Arabia - Tajikistan - Turkmenistan - Uzbekistan - Qatar

Africa

Algeria - D'Kongo - Ethiopia - Equatorial Guinea - Ghana - Libya - Mali - Morocco - Nigeria - Senegal - Somali - Tanzania - The Ivory Coast - Tunisia - Zambia - Zimbabwe

South America

Bolivia

North America

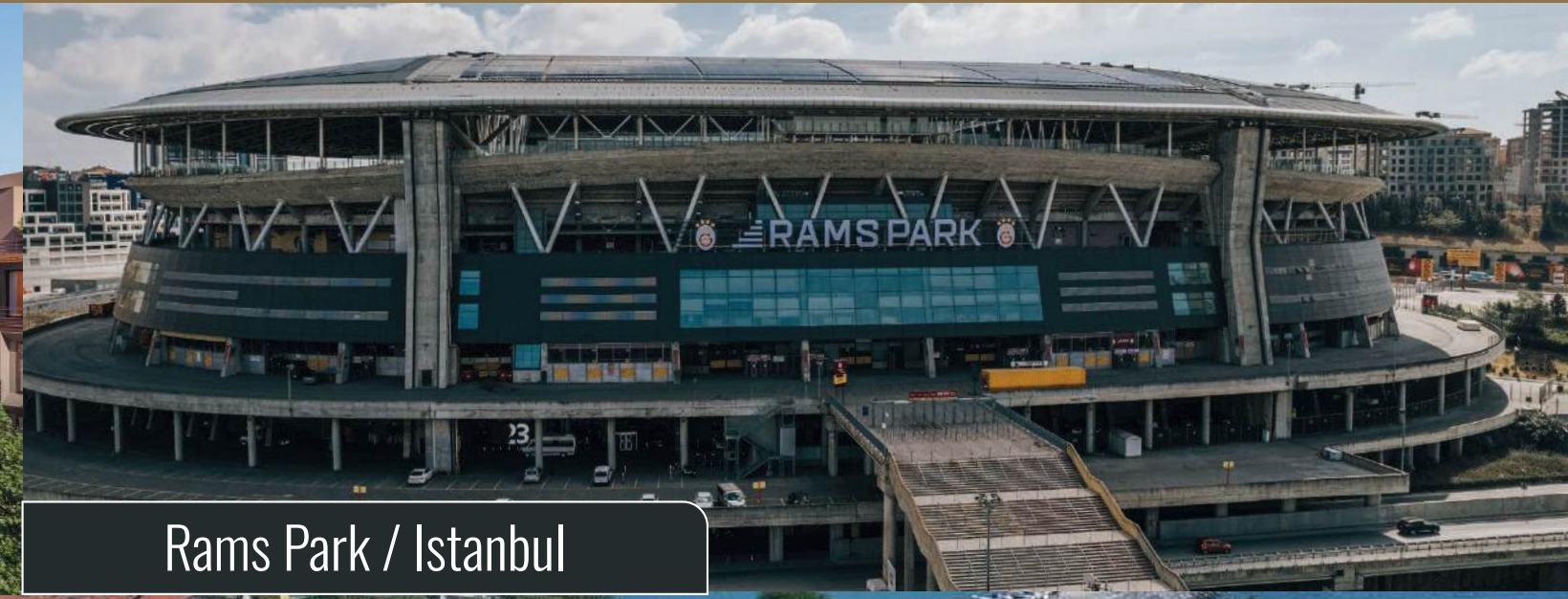
Canada - United States of America



Financial Center / Istanbul



Ege Yapı Ormanyaka / Istanbul



Rams Park / Istanbul



Kayseri Courthouse / Kayseri



Esbah Construction Headquarters / Istanbul



Cer Istanbul / Istanbul



Casa Mia Villas / Ankara



Trios 2023 / Istanbul



1071 Kadıköy / Istanbul







CONTACT

Headquarter : Yeni Mah. 15 Sk. No: 3, 39780 Lüleburgaz/Kırklareli

Phone : +90 (288) 444 37 40

Phone : +90 (288) 436 12 34

E-Mail : info@burak.com.tr

SOCIAL MEDIA

📷 📺 📧 / @burakalüminyum

🌐 www.burak.com.tr

“in every aspect of life”

